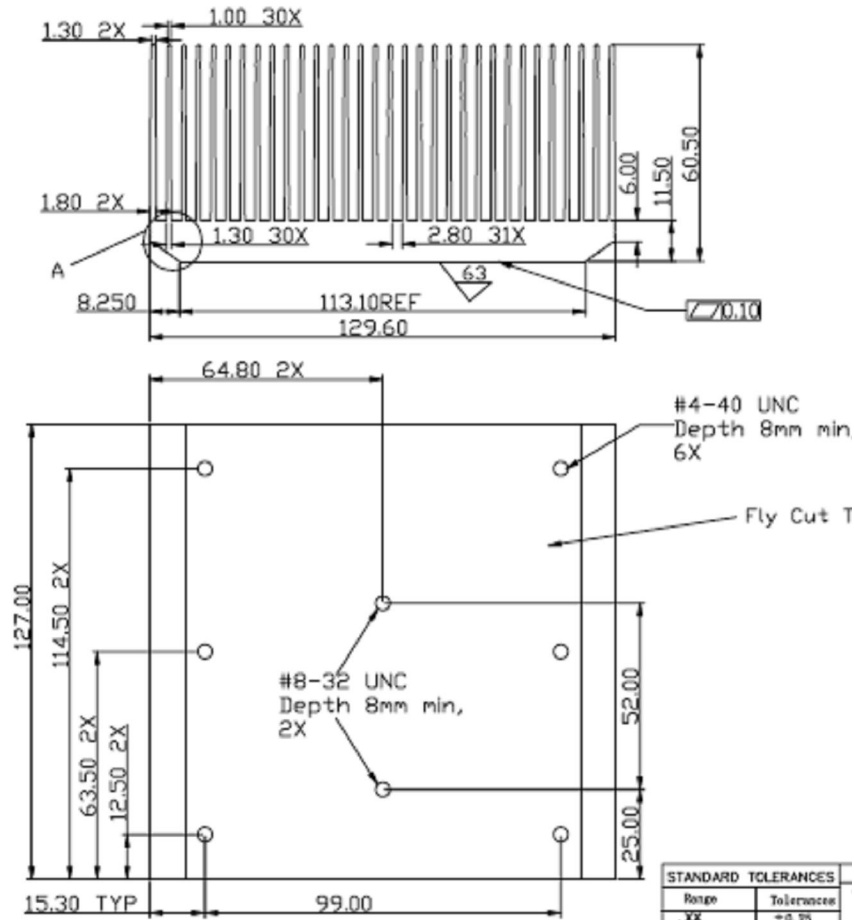


1.0 NOTE:

- 1.1 MATERIAL : ALUMINUM ALLOY 6063-T5.
- 1.2 FINISH: WASH
- 1.3 BREAK ALL SHARP CORNERS AND EDGES.
- 1.4 ALL OF MATERIAL MATE ROHS SPC.



STANDARD TOLERANCES	
Range	Tolerances
.XX	±0.25
.X	±0.30
X	±0.40
ANGLE DIM	±1°
REFERENCE	NONE