

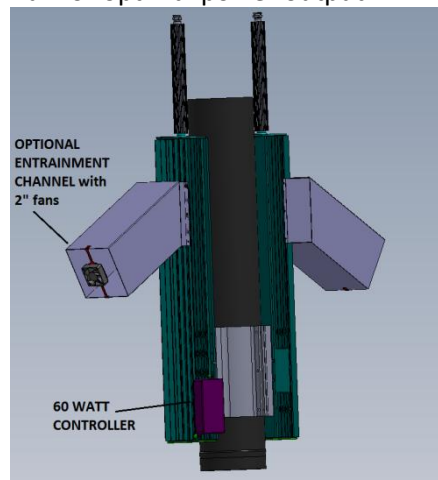
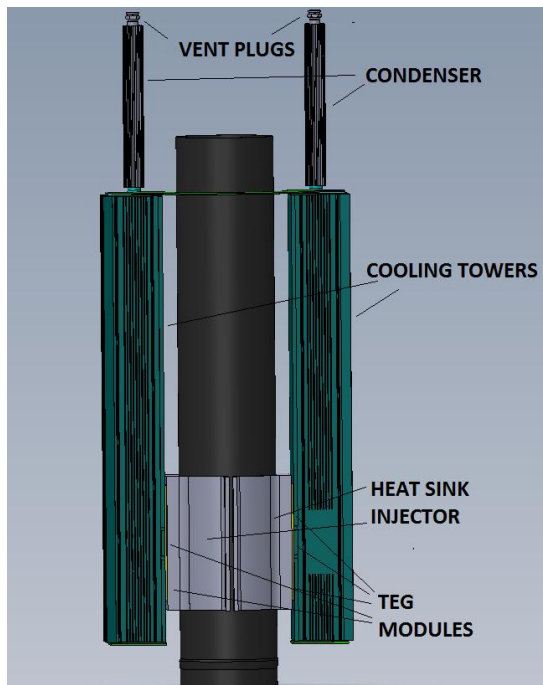


PATENT PENDING RABBIT EARS THERMOELECTRIC GENERATOR PASSIVE

Introducing the first PATENT PENDING solid state self-regulating THERMOELECTRIC GENERATOR. Covered by 4 Patent applications. This novel thermoelectric TEG system will provide continuous power as long as a heat load is present on the hot side. No need to drill or cut into your wood or gas stove. Partial assembly is all that is required along with a 6" thin walled stove pipe section that will need to be cut. No pumps or fans are needed*. The unit comes semi assembled out of the box and includes a settable 12V to 24V Custom Charge Controller, 2 heat sinks clamped to a (6" exhaust pipe**not supplied).



The RABBIT EARS TEG GENERATOR will run both 12V & 24V direct loads & or bulk, trickle charge functionality for battery charging up to 24 Volts DC. The board will also control & advise on low liquid levels in the towers via LED Light, and an embedded thermistor provides a feedback to the board to direct fans to turn on/off depending on tower temperature* in high ambient conditions . Condenser tubes on each tower condense any water vapor that may develop back into Towers. Vent plugs equalize atmosphere pressure to tower pressure. Tower water on cold side will not boil absorbing/dissipating equally once equilibrium is reached increasing power production.*** The heat collectors penetrate the flue gas stream maximizing heat absorption which in turn produces max heat flux for optimal power output.



80w PEAK smart MVPT controller is mounted directly on tower. 6 pcs x ¼" bolts clamp the 2 heat sink injectors onto the stove pipe. All weight is vertical balanced perfectly on the stove pipe.

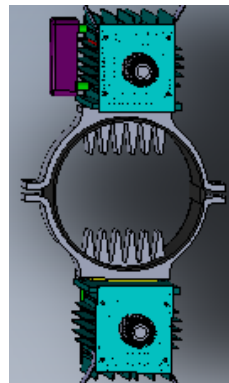
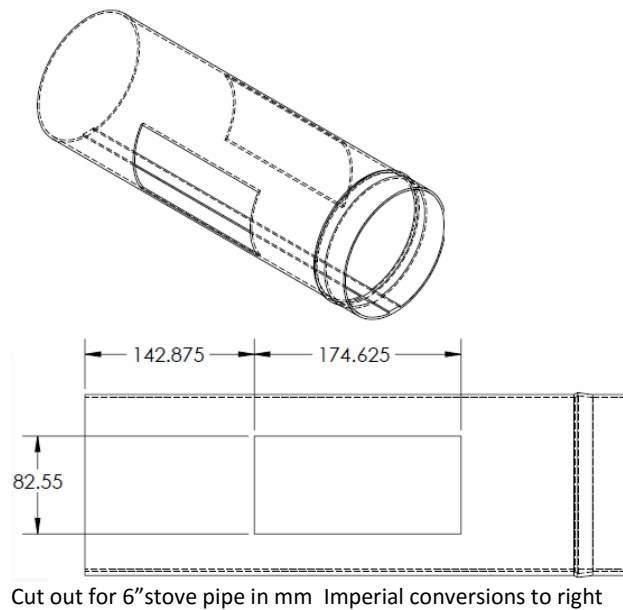


PATENT PENDING RABBIT EARS THERMOELECTRIC GENERATOR PASSIVE

- * Optional PWM fan system is available for high ambient conditions.
- ** Future couplers will be for 7" and 8" vent pipes
- *** Room temperature should be below 78°F for proper operation.



Above graph based on 1 tower only. Rabbit ear system comes with 2 towers



Fins on heat sinks penetrate flue pipe to provide exceptional heat transfer which provides maximum power production.

Cut out for 6" stove pipe in mm:

82.55mm = 3 1/4"

174.625mm = 6 14/16"

142.875mm = 5 10/16"

Stove pipe cut out dimensions:



PATENT PENDING RABBIT EARS THERMOELECTRIC GENERATOR PASSIVE SMART MVPT Controller Specifications:

80W PEAK TEG Input Battery SMART MVPT Charging Board – Specifications

Number of inputs for TEG arrays:	2 (Terminal block for series-parallel connected arrays) Low drop diodes for parallel array isolation included on board.
Output voltage ranges:	12V & 24V output charging voltages Switch selectable direct load drive or battery charging.
Output power rating:	80W PEAK charging.
Water level and temperature:	2 capacitive water level sensor and water temperature thermistor sensors.
External Fan voltage support:	2 outputs, individually adjustable. 12V nominal output, PWM output voltage adjustable with on-board Flash memory output voltage selection.
Relay Contact outputs:	2 relay driver outputs. Assignable via software. Transistor output to ground.
Opto-coupled inputs:	2 digital inputs, isolated optical inputs.
Analog Inputs:	1 Analog voltage inputs, 0V to 24V maximum.
Thermistor Inputs:	2 independent inputs, function assignable via software.
Communications options:	GSM modem, European or N. American frequency assignments as required. Software assigned as per user requirement for remote function activation or error reporting as desired via SMS text messaging to named cell phone number, bi-directional operation. RS-232 Serial port for local communication, configuration options including external data logging & monitoring.



PATENT PENDING RABBIT EARS THERMOELECTRIC GENERATOR PASSIVE

About the charger

- **Designed to accept a single or dual TEG array. Alternatively this charger can be used with an appropriately matched and sized solar panel.**
- **Use it as a fixed 12V or 24V supply, or a full featured 12V /24V battery charging controller with automatic microcontroller based control for Constant Current/ Constant Voltage charging with float battery voltage charge termination.**
- **Built in support for widely available, low cost GSM wireless communication modems, allowing SMS text message capability. Receive a text message on your cell phone for low liquid level for example or send a text to the system to receive operational status.**
- **Liquid level and temperature sensors for reliable operation, with status LED error indication or receive a text message for low water level and temperature.**
- **External DC cooling fan support, PWM driven and powered from the TEG input voltage will keep the tower liquid level temperature at the optimum point with higher ambient temperature conditions prevailing.**
- **External analog and digital isolated inputs and transistor outputs for interfacing with off-board systems or control systems.**
- **Expandable for additional functions or custom requirements with the additional of an expansion circuit board, where quantities are favorable to the addition of a custom designed hardware and firmware solution.**
- **Front panel switch selects operation modes for main operating conditions to quickly select various options. For more detailed setup and configuration a Windows compatible setup program will allow the user to set and change the parameters or view the system status. Can be used for remote data logging and collection if GSM modem is not used.**

Specifications can change without notice. We recommend before buying you consult our qualified staff.



PATENT PENDING RABBIT EARS THERMOELECTRIC GENERATOR PASSIVE



GSM Modem option:



Optional Fan system:



Standard system without stove: